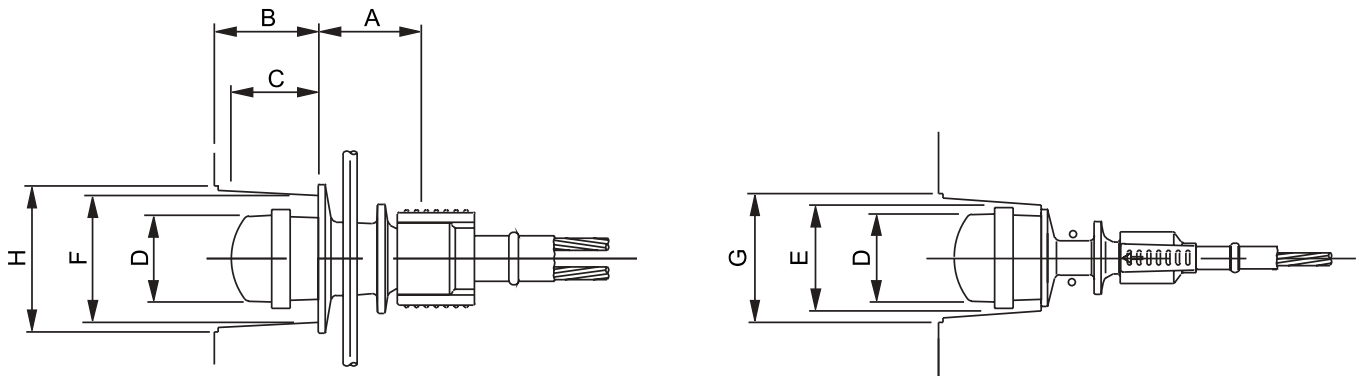


VSLAB[®]+ Stressing Anchorage



Type	A	B	C	D	E	F	G	H
VSLAB	5.12	4.13	3.27	3.07	4.02	5.63	4.72	6.42

Dimensions in inches.

Dimensions are valid for nominal concrete strength: 3,000 psi (20 MPa) cylindrical strength, at the time of stressing, for a maximum stressing force of 80% of the tendon breaking load.

VSLAB[®]+ Intermediate Anchorage

