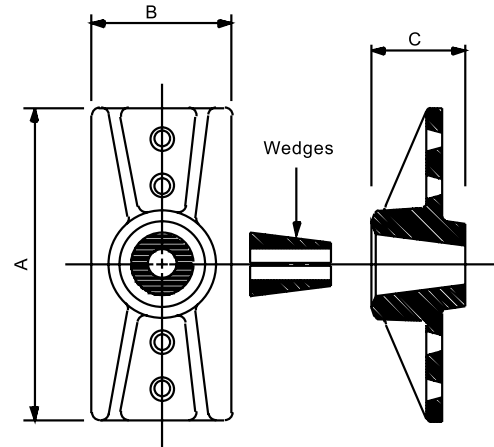
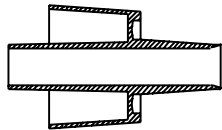


Anchorages

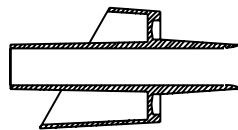
Type	Dimensions (Inches)		
	A	B	C
S5N	5.00	2.25	1.50
S6N	4.63	3.50	1.88



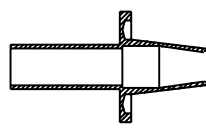
Standard Pocket Formers



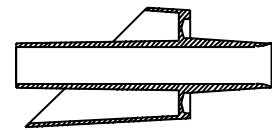
Standard



30°

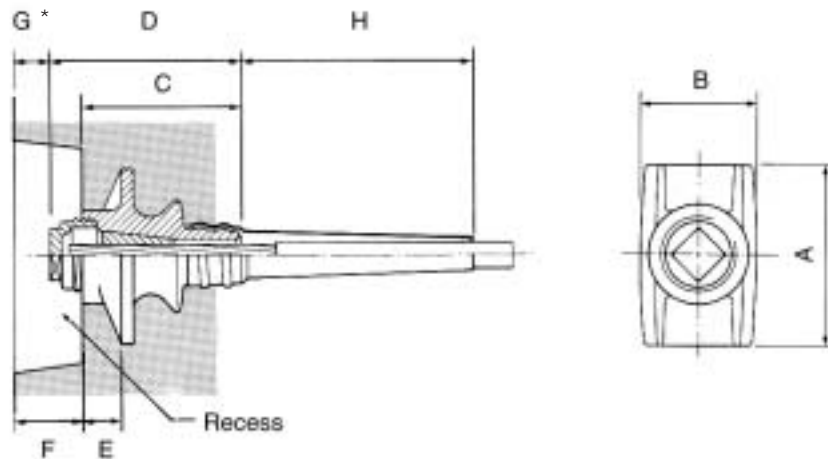


Split



45°

Stressing Anchorage VSL Type S-6



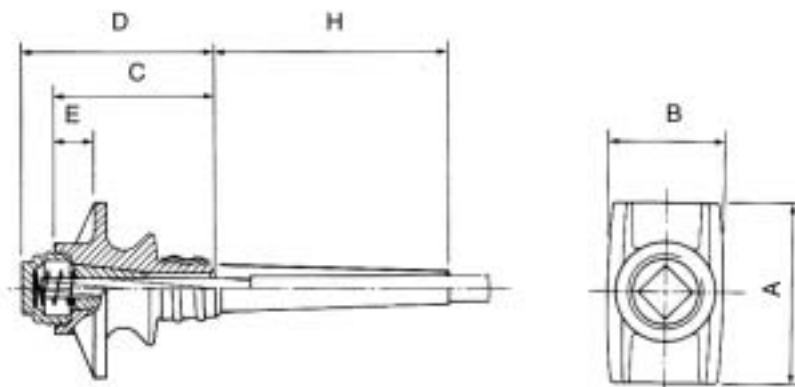
Type	A	B	C	D	E	F	G	H
S-6	4.13	2.95	4.33	4.53	0.91	1.57	0.79	6.25

* for 0.79" cover, to be adjusted for other values as needed.

Dimensions in inches.

Dimensions are valid for nominal concrete strength: 3,000 psi (20 MPa), at the time of stressing, for a maximum stressing force of 80% of the tendon breaking load.

Dead-End Anchorage VSL Type SF-6

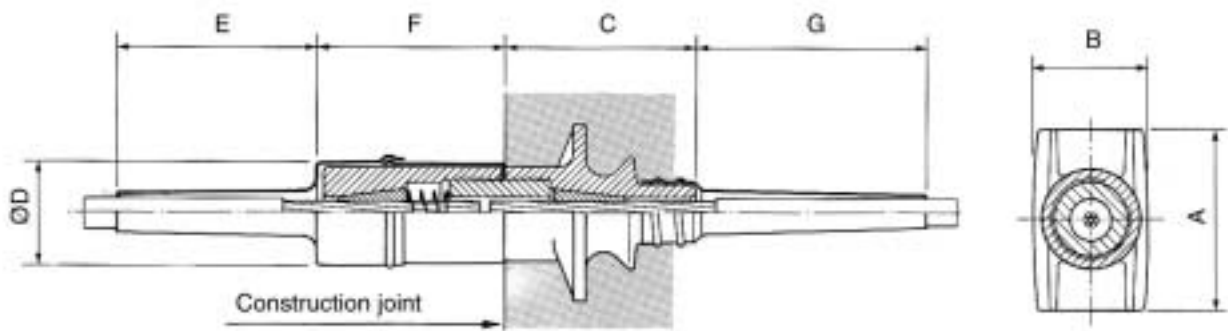


Type	A	B	C	D	E	H
SF-6	4.13	2.95	3.74	4.53	0.91	6.25

Dimensions in inches.

Dimensions are valid for nominal concrete strength: 3,000 psi (20 MPa), at the time of stressing, for a maximum stressing force of 80% of the tendon breaking load.

Coupler VSL Type SK-6

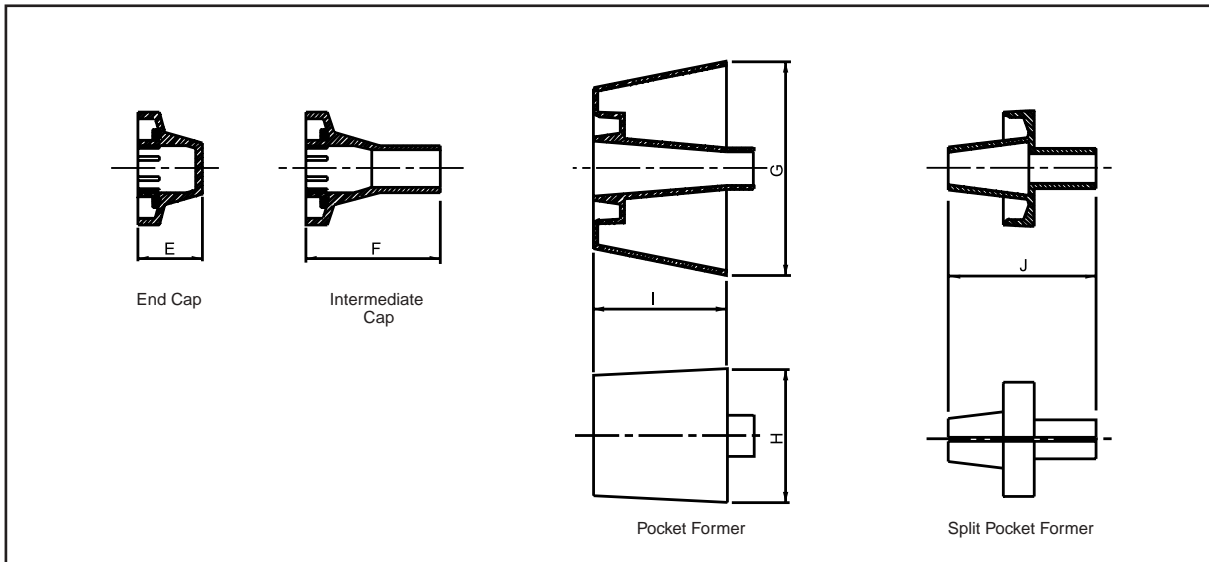
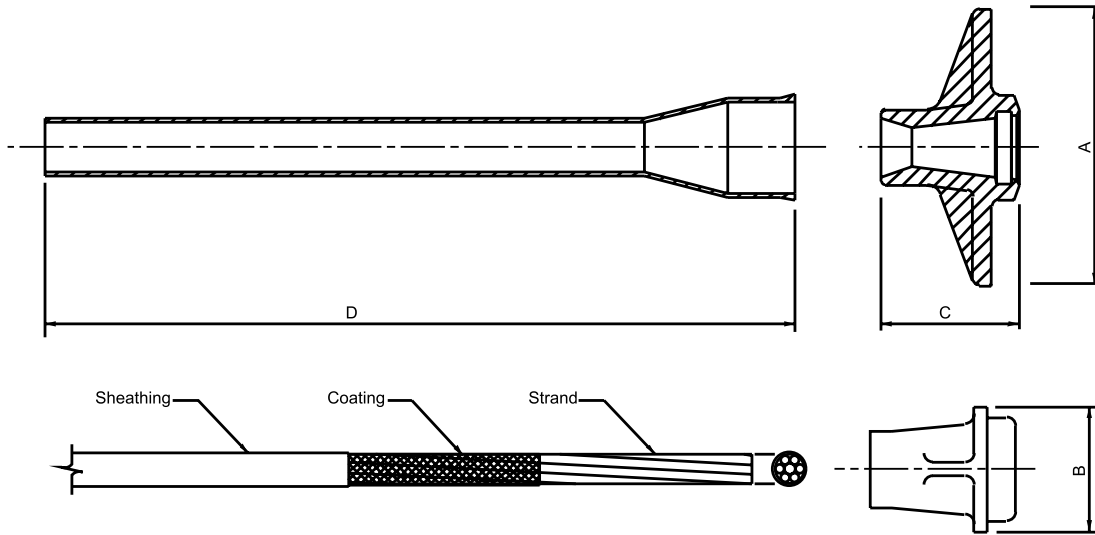


Type	A	B	C	$\varnothing D$	E	F	G
SK-6	4.13	2.95	4.33	2.56	4.53	4.53	6.25

Dimensions in inches.

Dimensions are valid for nominal concrete strength: 3,000 psi (20 MPa), at the time of stressing, for a maximum stressing force of 80% of the tendon breaking load.

Anchorage VSL Type S5CP+



Type	A	B	C	D	E	F	G	H	I	J
CP+	5.00	2.25	2.50	15	1.50	2.5	4	2.5	2.5	2.81